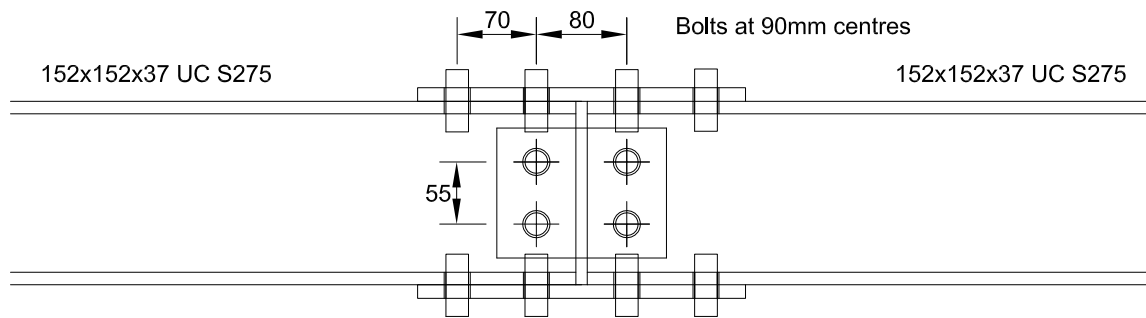


Splice Connection Detail 152x152x37 UC

maximum factored bending moment = 25 kNm
maximum factored shear = 20 kN



M20 HR8.8 Preload bolts (HSFG Type) throughout

160x290x12mm S275 steel flange plates

150x115x10mm S275 steel web plates both sides of web

Flange Bolts Shear Resistance

$$0.7 \times 800 \times 245 \times 0.45 / 1.25 \times 4 / 10^3 = 197.6 \text{ kN}$$

$$25 \times 10^3 / (161.8 + 12) = 144 \text{ kN} < 197.6 \text{ kN therefore OK}$$

Web Bolts Shear Resistance

$$0.7 \times 800 \times 245 \times 0.45 / 1.25 \times 2 / 10^3 = 98.8 \text{ kN}$$

$$20 \text{ kN} < 98.8 \text{ kN therefore OK}$$